

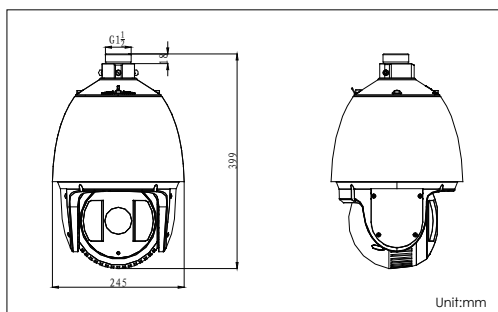
DS-2DF727A series 1MP WDR Network IR PTZ Dome Camera



Key features

- 1/3" Type solid State Progressive Scan CCD
- 18X optical zoom, 12X digital zoom
- True WDR
- True Day/Night, 3D DNR
- Up to 150m IR distance
- 3D intelligent positioning
- Triple stream

Dimensions



Accessories



Available models

DS-2DF727A-A: 24VAC, outdoor

DS-2DF727A-A	
Camera	
Image sensor	1/3" Type solid State Progressive Scan CCD
Effective pixel	1010K pixels
Min. Illumination	Color: 0.1Lux@F1.6; B/W: 0.01Lux@F1.6; 0 Lux with IR
White balance	Auto / Manual / ATW/Indoor / Outdoor / Daylight lamp / Sodium lamp
AGC	Auto / Manual
S / N ratio	≥ 50dB
Digital noise reduction	3D DNR
Backlight compensation	BLC
Wide dynamic range	True WDR
Shutter speed	50Hz: 1 ~ 1/25,000s, 60Hz: 1 ~ 1/30,000s
Day & Night	IR Cut Filter
Digital zoom	16X
Privacy masking	24 privacy masks programmable, optional multiple colors and mosaics
Focus mode	Auto / Semiautomatic / Manual
Lens	
Focal length	4.7 ~ 84.6 mm, 18X optical zoom
Zoom speed	Approx. 4.2s (Optical Wide-Tele)
Angle of view	59.7 ~ 3.6 degree (Wide-Tele)
Min. Working distance	10 ~ 1000mm(Wide-Tele)
Aperture range	F1.6 ~ F2.8
Pan and Tilt	
Pan / Tilt range	Pan: 360° endless; Tilt: -2° ~ 90° (auto flip)
Pan / Tilt speed	Pan Manual Speed: 0.1° ~ 160°/s, Pan Preset Speed: 240°/s Tilt Manual Speed: 0.1° ~ 120°/s, Tilt Preset Speed: 200°/s
Proportional zoom	Rotation speed can be adjusted automatically according to zoom multiples
Number of preset	256
Patrol	8 patrols, up to 32 presets per patrol
Pattern	4 patterns, with the recording time not less than 10 minutes per pattern
Power-off memory	Support
Park action	Preset / Patrol / Pattern / Pan scan / Tilt scan / Random scan / Frame scan / Panorama scan
PTZ position display	Support
Preset freezing	Support
Scheduled task	Preset / Patrol / Pattern / Pan scan / Tilt scan / Random scan / Frame scan / Panorama scan/Dome reboot/Self-test action/Alarm output
Infrared	
IR distance	Up to 150m
IR intensity	Automatically adjusted, depending on the zoom ratio
Alarm	
Alarm input	7 inputs
Alarm output	2 relay outputs, alarm response actions configurable
Alarm trigger	Motion detection, Audio Exception Detection, Dynamic analysis, Tampering alarm, Network disconnection, IP address conflict, Storage exception
Alarm action	Preset, Patrol, Pattern, SD/SDHC card recording, Relay output, Notification on Client
Local Video&Audio	
Video output	1.0V[p-p] / 75Ω, NTSC (or PAL) composite, BNC
Audio input	1 Mic in/Line in interface. Line input: 2-2.4V[p-p]; output impedance: 1KΩ, ±10%
Audio output	1 Audio output interface. Line level, impedance: 600Ω
Network	
Ethernet	10Base-T / 100Base-TX, RJ45 connector
Max. image resolution	1920×1080
Frame rate	50Hz: 25 fps (1920×1080), 25 fps (1280×960), 25 fps (1280×720) 60Hz: 30 fps (1920×1080), 30 fps (1280×960), 30 fps (1280×720)
Image compression	H.264 / MJPEG / MPEG4, H.264 encoding with Baseline / Main / High profile
ROI encoding	Support
Audio compression	G.711u / G.711a / G.726 / MP2L2
Protocols	IPv4/IPv6, HTTP, HTTPS, 802.1x, Qos, FTP, SMTP, UPnP, SNMP, DNS, DDNS, NTP, RTSP, RTP, TCP, UDP, IGMP, ICMP, DHCP, PPPoE
Simultaneous live view	Up to 10
Streams	Triple streams
SD memory card	Built-in SD/SDHC Slot, up to 32GB, support manual / alarm / edge recording
User/Host level	Up to 32 users, 3 Levels: Administrator, Operator and User
Security measures	User authentication (ID and PW), Host authentication (MAC address), IP address filtering
Integration	
Application programming	Open-ended API, support Onvif, PSIA and CGI
Web browser	IE 7+, Chrome 18+, Firefox 5.0+, Safari 5.02+, support multi-language
General	
RS-485 protocols	HIKVISION, Pelco-P, Pelco-D, self-adaptive
Power	24VAC, max. 50W
Working temperature	-30°C ~ 65°C(-22°F ~ 149°F)
Humidity	90% or less
Protection level	IP66
	TVS 4,000V lightning protection, surge protection and voltage transient protection
Dimensions	Φ245 × 399mm (Φ9.65" × 15.71")
Weight	Approx. 5.5kg(12.13lbs)
Mount option	Long-arm wall mount: DS-1601ZJ; Corner mount: DS-1601ZJ-corner; Pole Mount: DS-1601ZJ-pole; Power box mount: DS-1634ZJ